

INCUBATORS

# HETTCUBE 600 | 600 R

## EFFICIENT USE OF VALUABLE SPACE

Building on the base of the 400 model, the HettCube 600 has a maximum validated usable space of 351 L. This model is capable of holding up to 1,800 petri dishes.

This unit is available with refrigeration and a temperature range from 0 °C to +65 °C (HettCube 600 R).



## HIGHLIGHTS

- maximal validated usable space on a small footprint
- One-hand operation without additional inner door
- 4.3 inch touch display for intuitive operation
- automatic door closure with magnetic seals, door orientation can be easily changed
- low noise level of  $\leq 44$  dB(A)
- TÜV certified
- Factory certificate HettCert with 9 measuring points according to DIN 12880:2007-5 standard
- HettCube without cooling requires only 1°K (1 °C) above stable ambient temperature
- No interior fan
- Model variants with IVD approval including DIN 62304 standard
- Inclusive: 3 standard shelves and 1 HTS shelf with telescopic rail

Additionally for cooled models:

- Temperature drop with holiday function
- Temperature selection monitor class 3.2
- Easy integration of external devices via the switchboard (optional)

## FEATURES

- At a glance display of: settings, future programs and target/actual values, temperature drops, events
- real-time calendar
- More individual settings: Flexible door alarm, asymmetric tolerance band
- Three different power failure scenarios
- Logbook: records of every door opening, events, alarms and operating hours
- Language options EN, DE, FR, ES
- Wide range of program functions: Start after time, start after temperature, standstill segment
- Programs and temperature settings transferable to other HettCubes without additional software
- Interior made of high-quality stainless steel

Special accessories:

- Shelves and racks for storage of samples
- shelf for Petri Dishes
- tightly welded HTS drawers (various heights)

## TECHNICAL DATA

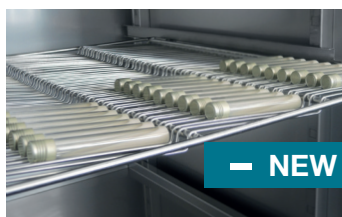
	HettCube 600 incubators	HettCube 600 R cooled incubators
Temperature range	1 K above ambient temperature up to +65 °C	0 °C up to +65 °C
Exterior dimensions (without bushing and door handle) W x D x H in mm	710 x 825 x 1990	710 x 825 x 1990
Interior dimensions W x D x H in mm	535 x 690 x 1415	535 x 690 x 1415
Internal volume in liters	520	520
Validated usable volume in liters	351	351
Percentage validated usable volume / internal volume	67 %	67 %
Footprint in m <sup>2</sup>	0,6	0,6
Weight in kg	164	175
Number of trays provided as standard	4 (3 standard + 1 HTS)	4 (3 standard + 1 HTS)
Temperature fluctuation at +37 °C	± 0.1 K	± 0.1 K
Temperature uniformity at +37 °C	± 0.2 K	± 0.2 K
Temperature uniformity at +25 °C	± 0.1 K	± 0.1 K
Recovery time after door has been opened for 30 s at +37 °C	≤ 5,5 min	≤ 5,5 min
Energy consumption at +37 °C	0.056 kWh	0.056 kWh
Noise level	≤ 41 dB (A)	≤ 44 dB (A)
Power supply	220 – 240 V 1 ~ / 50 – 60 Hz	220 – 240 V 1 ~ / 50 – 60 Hz
<b>Cat. No.</b>	<b>66000</b>	<b>66005</b>
Non-lvD version	66001	66006
120 V 1 ~ / 50 – 60 Hz	66000-01	66005-01
Weight in kg*	169	180
Energy consumption at +37 °C*	0.06 kWh	0.06 kWh
Noise level*	≤ 42 dB (A)	≤ 44 dB (A)



## — OPTIONS AND ACCESSORIES



Switchboard



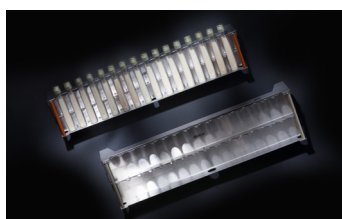
Rack for Loewenstein application



Rack for petri dishes



Shelf (HTS-Set) with telescopic rails



Frame L + XL, 16-place



Access Port

	Cat. No.
<b>Shelf (Set)</b>   Made of stainless steel, with standard rails, max. load (kg): 50	<b>60001</b>
<b>Shelf (HTS-Set)</b>   Made of stainless steel, with telescopic rails, pull out up to 70 %, max. load (kg): 40	<b>60031</b>
<b>Drawer (HTS-Set), High 30 mm</b>   Made of stainless steel, with telescopic rails, pull out up to 70 %, tightly welded, max. load (kg): 40	<b>60024</b>
<b>Drawer (HTS-Set), High 65 mm</b>   Made of stainless steel, with telescopic rails, pull out up to 70 %, tightly welded, max. load (kg): 40	<b>60025</b>
<b>Drawer (HTS-Set), High 105 mm</b>   Made of stainless steel, with telescopic rails, pull out up to 70 %, tightly welded, max. load (kg): 40	<b>60026</b>
<b>Rack (HTS-Set)</b>   For Petri dishes, stainless steel, with telescopic rails, pull out up to 70 %, Petri dishes Ø (mm): 90, max. load (pcs): 90	<b>60038</b>
<b>Rack (Set)</b>   For Petri dishes, stainless steel, with standard rails, Petri dishes Ø (mm): 90, max. load (pcs): 90	<b>60039</b>
<b>Rack</b>   For Petri dishes, stainless steel, Petri dishes Ø (mm): 90, max. load (pcs): 90	<b>60040</b>
<b>Rack (HTS-Set)</b>   For inclined storage of cultures (Loewenstein), stainless steel, with telescopic rails, pull out up to 70 %, inclination angle: 5°, tube Ø (mm): 15-20, max. load (pcs): 81 tube	<b>60036</b>
<b>Rack (Set)</b>   For inclined storage of cultures (Loewenstein), stainless steel, with standard rails, inclination angle: 5°, tube Ø (mm): 15-20, max. load (pcs): 81 tubes	<b>60037</b>
<b>Rack</b>   For inclined storage of cultures (Loewenstein), stainless steel, inclination angle: 5°, tube Ø (mm): 15-20, max. load (pcs): 81 tubes	<b>60041</b>
<b>Frame L, 16-place</b>   Made of stainless steel, for inclined storage of cultures, tube Ø (mm): 15-20, Tube length (mm): 100-125, inclination angle 5° or 20°	<b>60027</b>
<b>Frame XL, 16-place</b>   Made of stainless steel, for inclined storage of cultures, tube Ø (mm): 15-20, Tube length (mm): 126-170, inclination angle 5° or 20°	<b>60028</b>
<b>Switchboard</b>   4-fold socket strip, as a unit controllable via display, on the back of the device	<b>60521</b>
<b>Independent PT 100 sensor</b>   For independent temperature measurement, four-wire system, temperature values output with 4 pole connection on the back of the device	<b>60504</b>
<b>Independent PT 100 sensor</b>   For independent temperature measurement, four-wire system, temperature values output with analogue output 4-20 mA on the back of the device	<b>60503</b>
<b>Passive dehumidification</b>   For individual or timed opening of a dehumidification module via the touchscreen	<b>60042</b>
<b>Glass door</b>   All-glass outer door, for HettCube 600   600 R	<b>60013</b>
<b>Access port</b>   Ø (mm): 22, Foam stoppers	<b>60006</b>
<b>Access port</b>   Ø (mm): 42, Foam stoppers	<b>60007</b>
<b>Access port</b>   Ø (mm): 67, Foam stoppers	<b>60008</b>
<b>Fixing Kit</b>   To use a shaker on a HTS drawer or drawer	<b>60919</b>

## EXTENSIVE STANDARD EQUIPMENT

4.3 inch touchscreen:

- Target / actual display
- Setting accuracy 0.1 ° C
- Real-time calendar
- Timer
- Language options (English, German, French and Spanish)
- Temperature diagram in 3 zoom levels (up to 4 weeks)
- Power failure scenarios
- Door alarm individually adjustable
- Log (door openings, alarms and operating hours)
- PIN lock
- Up to 99 program functions (Start/Stop, Period, Timer at start, Timer at temperature, ...)
- Temperature selection monitor class 3.1 for all models

Additionally with refrigerated devices

- Temperature reduction with holiday function
- Temperature selection monitor class 3.2 for all refrigerated models
- Programming external devices via switchboard (optional)

Control panel and door lockable simultaneously

USB service interface

Bushing on rear panel Ø 42 mm

Potential-free alarm output

Interior of high-quality stainless steel (W-St 1.4301 (ASTM 304))

In addition you get for free ...

3 standard shelves of stainless steel

1 HTS shelf of stainless steel with telescopic rails

Factory certificate (HettCert) – 9 points measurement analog to DIN 12880: 2007-05

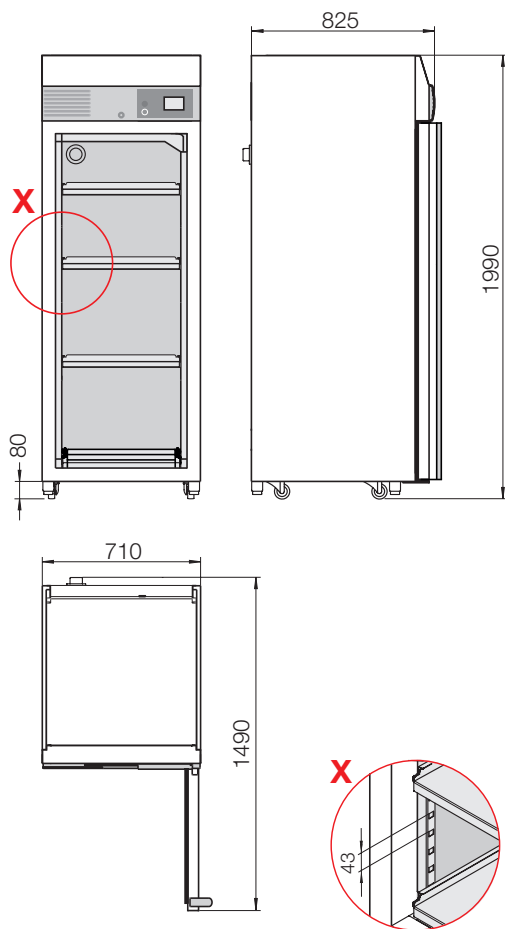
Compensation for unneeded standard shelves\*

\* Choose other shelves / drawers as standard, we credit you the price of unused standard inserts.

## CERTIFICATE / REGISTRATIONS



## DIMENSIONS



## DOWNLOADS

[↓ Operating Manual – HettCube 600 | 600 R](#)

[↓ Brochure – HettCube](#)

[↓ General Catalog](#)