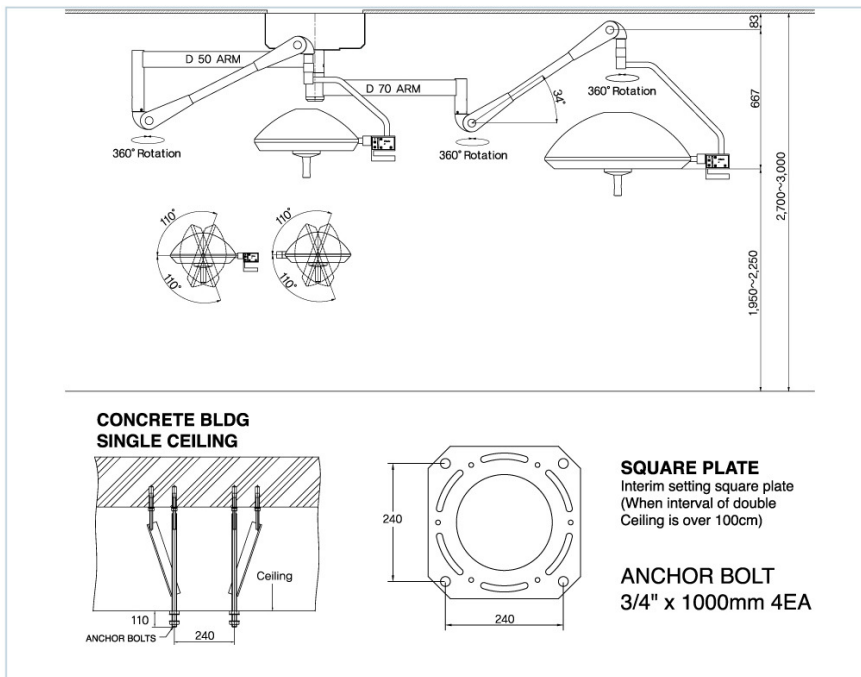


● DIMENSIONS



● SPECIFICATION

Division	Dialux D70+D70	Dialux D70+D50	Dialux D70	Dialux D50
Diameter of Housing (mm)	Ø700 + Ø700	Ø700+Ø500	Ø700	Ø500
Power Input (V/Hz)	AC220V, 50/60Hz	AC220V, 50/60Hz	AC220V, 50/60Hz	AC220V, 50/60Hz
Max. Illumination (Lux)	150,000+150,000	150,000+80,000	150,000	80,000
Color Temperature	4,300	4,300	4,300	4,300
Power of Bulb (W)	150+150	150+120	150	120
Temperature Rise (°C)	≤5	≤5	≤3	≤3
Light Adjusting Mode (Step)	10	10	10	10
Focusable Light Field (mm)	200~250	180~220	140~200	120~180
Life of Bulb (Hour)	1,000	1,000	1,000	1,000

The specifications are subject to change without prior notice for improvement

Distributed by



698, Shindaebang-dong, Dongjak-ku, Seoul 156-757 Republic of Korea
TEL : 82-2-2109-7700 FAX : 82-2-852-0565

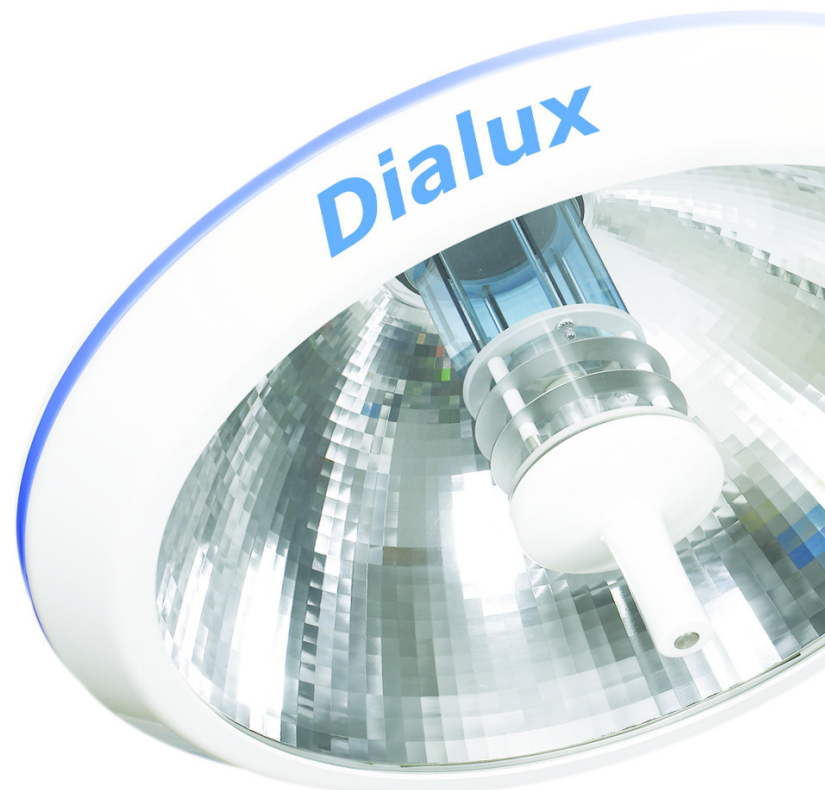
Manufactured by



503Dong 301, Baran hyundai gonggu town 508-15, Yulam-ri,
Paltan-myeon, Hwaseong-si, Gyeonggi-do, 445-913 Republic of Korea

OPERATING LIGHT

Dialux Series



OPERATING LIGHT Dialux Series

Optical technology at it's best Dialux

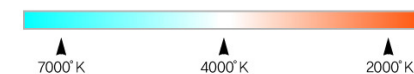


THE SECRET OF HIGH ILLUMINATION COOL LIGHT

Ideal Color Temperature

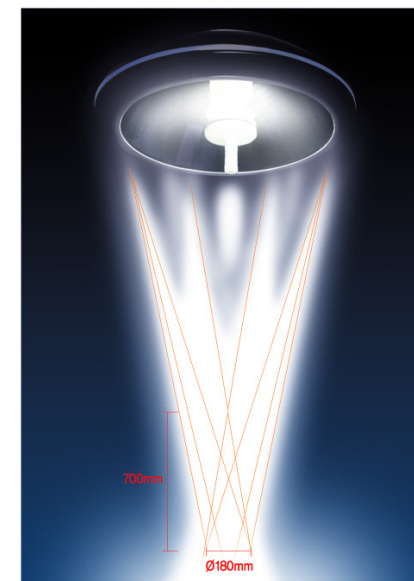
Opinion has been varied in the past on the subject of color temperature (kelvin) of artificial lighting. Still today, it is generally believed as a general acceptance that the higher the kelvin comes the nearer to the natural coloring.

However, in actual practice this factor alone does not provide an accurate solution. The greater part of our daily activities are carried out under 2500°K–5500°K and to our visual perception, color will be reddish in a lower color temperature but the tendency to turn bluish will become more as the color temperature rises.



From long experience and study of the man-made lighting, we have appraised that the color temperature range between 3800°K–4500°K from an incandescent light source performs the most ideal visual perception to the exposed objects. Our principal products, including, of course, this Honey-Lux series are being manufactured at standards of 4000° ±200K

High Intensity Deep Cavity Illumination and Shadowlessness.



A REVOLUTION IN SURGICAL ILLUMINATION TECHNOLOGY

**Dialux-D70+D70
OPERATING LIGHT**



**Dialux-D70+D50
OPERATING LIGHT**



**Dialux-D70
OPERATING LIGHT**



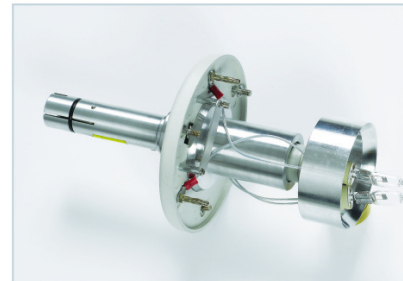
**Dialux-D50
OPERATING LIGHT**



● Features

- Dialux D series multi-reflector shadowless operating light is an ideal lighting device for various operations in hospital.
- The light beam with over 3,000 specialized reflectors ensure the shadowless and depth to 700mm.
- Color temperature approaching that of sunlight, making the tissue surface visible in natural color, can help the doctor to distribute the operation parts clearly and accurately.
- The extension arm and spring balance arm system are designed to position on the operation light in all directions, to meet various illumination requirements.
- The life-span of halogen bulb is up to 1,000hours and the bulb can be changed easily.
- Permanent light safety, the standby bulb will start work within 0.3seconds automatically when main bulb is damaged, ensuring the continuation of operation.
- The dischargeable handle can be sterilized conveniently with high-temperature and pressure.
- Digital control circuit offers many functions, such as 10step lighting regulation, brightness memory, slow start-up and power on self test etc.

▼ Focus Control Ass'y



▼ Controller



COMPLETE PLANNING AND INSTALLATION FLEXIBILITY

● High performance of illumination.

The depth of illumination has been above 700mm with good shadowless and focus field is 140-200mm in diameter, which is use of multi rotated mirror reflector to over three thousands of reflection.

● Color temperature compensation.

The heat absorbing filter system which may achieve a genuine cold beam light, the color temperature compensation has provided a color temperature of similar with natural sunlight, and completely satisfy for the different requirements in operation.

● Continous light adjustment.

The lamp is controlled by microprocessor and successive brightness adjustment.

It has the fuction of lightness memory and electric voltage input which will work stably at a supply between AC180V~AC240V.

● Easy operation.

The extension arm and spring balance arm system are designed to position on the operation light in all directions, to meet various illumination requirements.

▼ Option (AC2000)

Spring Balance Arm(Germany)



Features

- Operating angle(up/down : 45°)
- Adjusting the vertical limit.
The vertical stop can be limited to the horizontal level
- Adjusting the spring force The spring force can be Adjustment.
- Rotation freely

▼ Power Supply

