

INCUBATORS

HETTCUBE 200 | 200 R

EFFICIENT USE OF VALUABLE SPACE

Incubators and Cooled Incubators

Environmentally friendly, economical and well designed. The HettCube Range of incubators will benefit both your balance sheet and the environment, as well as providing optimum growth conditions for your cultures. The HettCube 200 is ideal for all clinical lab applications.

This unit is available with refrigeration and a temperature range from 0 °C to +65 °C (HettCube 200 R).



HIGHLIGHTS

- One-hand operation without additional inner door
- 4.3 inch touch display for intuitive operation
- automatic door closure with magnetic seals, door orientation can be easily changed
- low noise level of ≤ 44 dB(A)
- TÜV certified
- Factory certificate HettCert with 9 measuring points according to DIN 12880:2007-5 standard
- HettCube without cooling requires only 1°K (1 °C) above stable ambient temperature
- No interior fan
- Model variants with IVD approval including DIN 62304 standard
- Inclusive: 1 standard shelf and 1 HTS shelf with telescopic rail

Additionally for cooled models:

- Temperature drop with holiday function
- Temperature selection monitor class 3.2
- Easy integration of external devices via the switchboard (optional)

FEATURES

- At a glance display of: settings, future programs and target/actual values, temperature drops, events
- real-time calendar
- More individual settings: Flexible door alarm, asymmetric tolerance band
- Three different power failure scenarios
- Logbook: records of every door opening, events, alarms and operating hours
- Language options EN, DE, FR, ES
- Wide range of program functions: Start after time, start after temperature, standstill segment
- Programs and temperature settings transferable to other HettCubes without additional software
- Interior made of high-quality stainless steel
- Special accessories:
 - Shelves and racks for storage of samples
 - shelf for Petri Dishes
 - tightly welded HTS drawers (various heights)

TECHNICAL DATA

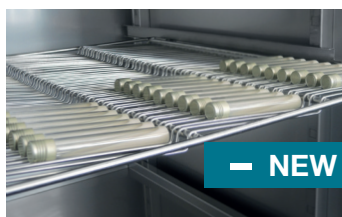
	HettCube 200 incubators	HettCube 200 R cooled incubators
Temperature range	1 K above ambient temperature up to +65 °C	0 °C up to +65 °C
Exterior dimensions (without bushing and door handle) W x D x H in mm	710 x 825 x 970	710 x 825 x 970
Interior dimensions W x D x H in mm	535 x 690 x 420	535 x 690 x 420
Internal volume in liters	150	150
Validated usable volume in liters	82	82
Percentage validated usable volume / internal volume	54 %	54 %
Footprint in m ²	0,6	0,6
Weight in kg	92	103
Number of trays provided as standard	2 (1 standard + 1 HTS)	2 (1 standard + 1 HTS)
Temperature fluctuation at +37 °C	± 0.1 K	± 0.1 K
Temperature uniformity at +37 °C	± 0.2 K	± 0.2 K
Temperature uniformity at +25 °C	± 0.1 K	± 0.1 K
Recovery time after door has been opened for 30 s at +37 °C	≤ 3 min	≤ 3 min
Energy consumption at +37 °C	0.045 kWh	0.045 kWh
Noise level	≤ 41 dB (A)	≤ 44 dB (A)
Power supply	220 – 240 V 1 ~ / 50 – 60 Hz	220 – 240 V 1 ~ / 50 – 60 Hz
Cat. No.	62000	62005
Non-lvD version	62001	62006
120 V 1 ~ / 50 – 60 Hz	62000-01	62005-01
Weight in kg*	97	108
Energy consumption at +37 °C*	0.04 kWh	0.04 kWh
Noise level*	≤ 42 dB (A)	≤ 44 dB (A)



— OPTIONS AND ACCESSORIES



Switchboard



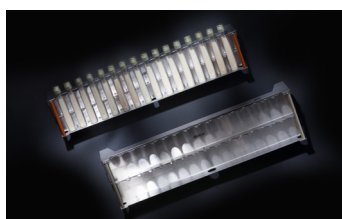
Rack for Loewenstein application



Rack for petri dishes



Shelf (HTS-Set) with telescopic rails



Frame L + XL, 16-place



Access port

	Cat. No.
Shelf (Set) Made of stainless steel, with standard rails, max. load (kg): 50	60001
Shelf (HTS-Set) Made of stainless steel, with telescopic rails, pull out up to 70 %, max. load (kg): 40	60031
Drawer (HTS-Set), High 30 mm Made of stainless steel, with telescopic rails, pull out up to 70 %, tightly welded, max. load (kg): 40	60024
Drawer (HTS-Set), High 65 mm Made of stainless steel, with telescopic rails, pull out up to 70 %, tightly welded, max. load (kg): 40	60025
Drawer (HTS-Set), High 105 mm Made of stainless steel, with telescopic rails, pull out up to 70 %, tightly welded, max. load (kg): 40	60026
Rack (HTS-Set) For Petri dishes, stainless steel, with telescopic rails, pull out up to 70 %, Petri dishes Ø (mm): 90, max. load (pcs): 90	60038
Rack (Set) For Petri dishes, stainless steel, with standard rails, Petri dishes Ø (mm): 90, max. load (pcs): 90	60039
Rack For Petri dishes, stainless steel, Petri dishes Ø (mm): 90, max. load (pcs): 90	60040
Rack (HTS-Set) For inclined storage of cultures (Loewenstein), stainless steel, with telescopic rails, pull out up to 70 %, inclination angle: 5°, tube Ø (mm): 15-20, max. load (pcs): 81 tube	60036
Rack (Set) For inclined storage of cultures (Loewenstein), stainless steel, with standard rails, inclination angle: 5°, tube Ø (mm): 15-20, max. load (pcs): 81 tubes	60037
Rack For inclined storage of cultures (Loewenstein), stainless steel, inclination angle: 5°, tube Ø (mm): 15-20, max. load (pcs): 81 tubes	60041
Frame L, 16-place Made of stainless steel, for inclined storage of cultures, tube Ø (mm): 15-20, Tube length (mm): 100-125, inclination angle 5° or 20°	60027
Frame XL, 16-place Made of stainless steel, for inclined storage of cultures, tube Ø (mm): 15-20, Tube length (mm): 126-170, inclination angle 5° or 20°	60028
Switchboard 4-fold socket strip, as a unit controllable via display, on the back of the device	60521
Independent PT 100 sensor For independent temperature measurement, four-wire system, temperature values output with 4 pole connection on the back of the device	60504
Independent PT 100 sensor For independent temperature measurement, four-wire system, temperature values output with analogue output 4-20 mA on the back of the device	60503
Passive dehumidification For individual or timed opening of a dehumidification module via the touchscreen	60042
Glass door All-glass outer door, for HettCube 200 200 R	60030
Access port Ø (mm): 22, Foam stoppers	60006
Access port Ø (mm): 42, Foam stoppers	60007
Access port Ø (mm): 67, Foam stoppers	60008
Stacking kit For safe stacking of two HettCubes 200 200 R	60009
Rolling cabinet Lockable, with one drawer, incl. lockable castors, WxDxH (mm): 770x800x550, for HettCube 200 200 R	60010

EXTENSIVE STANDARD EQUIPMENT

4.3 inch touchscreen:

- Target / actual display
- Setting accuracy 0.1 ° C
- Real-time calendar
- Timer
- Language options (English, German, French and Spanish)
- Temperature diagram in 3 zoom levels (up to 4 weeks)
- Power failure scenarios
- Door alarm individually adjustable
- Log (door openings, alarms and operating hours)
- PIN lock
- Up to 99 program functions (Start/Stop, Period, Timer at start, Timer at temperature, ...)
- Temperature selection monitor class 3.1 for all models

Additionally with refrigerated devices

- Temperature reduction with holiday function
- Temperature selection monitor class 3.2 for all refrigerated models
- Programming external devices via switchboard (optional)

Control panel and door lockable simultaneously

USB service interface

Bushing on rear panel Ø 42 mm

Potential-free alarm output

Interior of high-quality stainless steel (W-St 1.4301 (ASTM 304))

In addition you get for free ...

1 standard Shelf of stainless steel

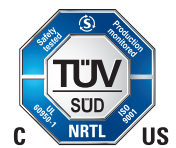
HTS shelf of stainless steel with telescopic rails

Factory certificate (HettCert) – 9 points measurement analog to DIN 12880: 2007-05

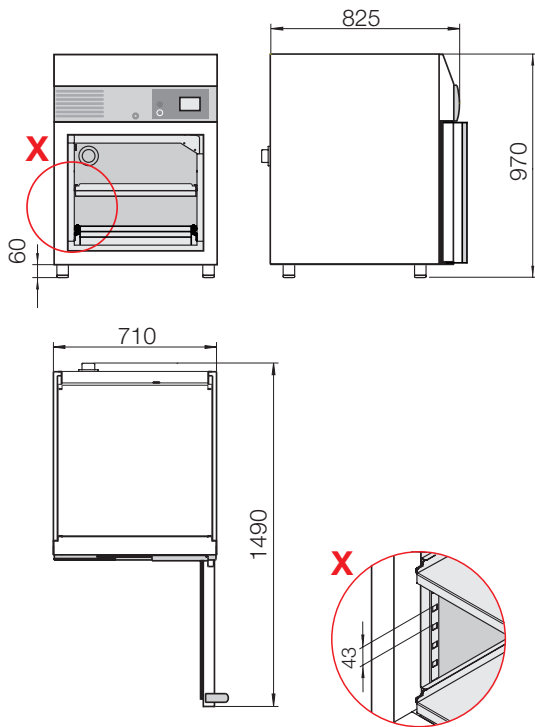
Compensation for unneeded standard shelves*

* Choose other shelves / drawers as standard, we credit you the price of unused standard inserts.

CERTIFICATE / REGISTRATIONS



DIMENSIONS



DOWNLOADS

[↓ Operating Manual – HettCube 200 | 200 R](#)

[↓ Brochure – HettCube](#)

[↓ General Catalog](#)